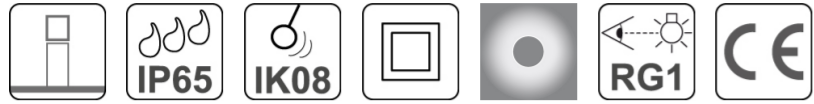


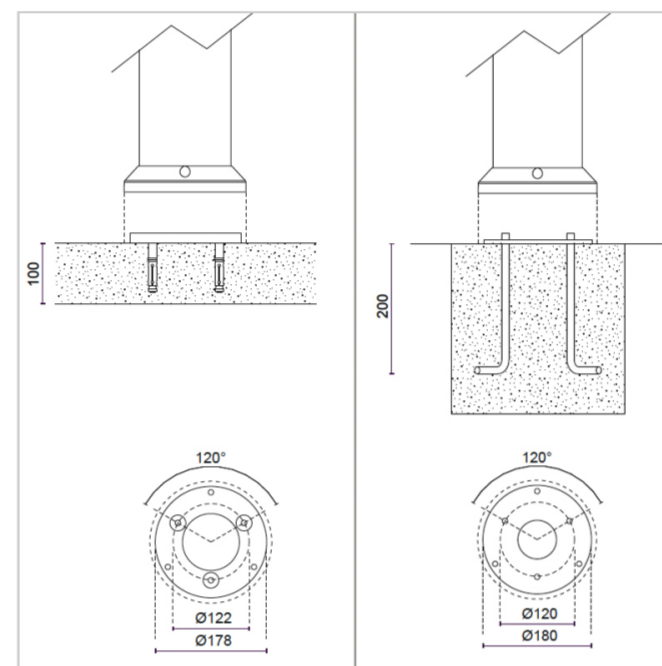
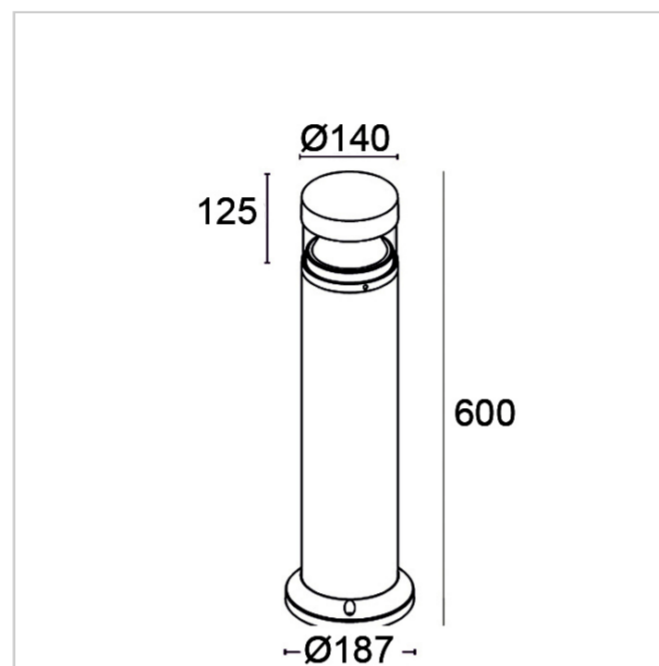
## Naos400 400F1/NR35.PT

Small Poles - Bollard H.600 Emission 360°

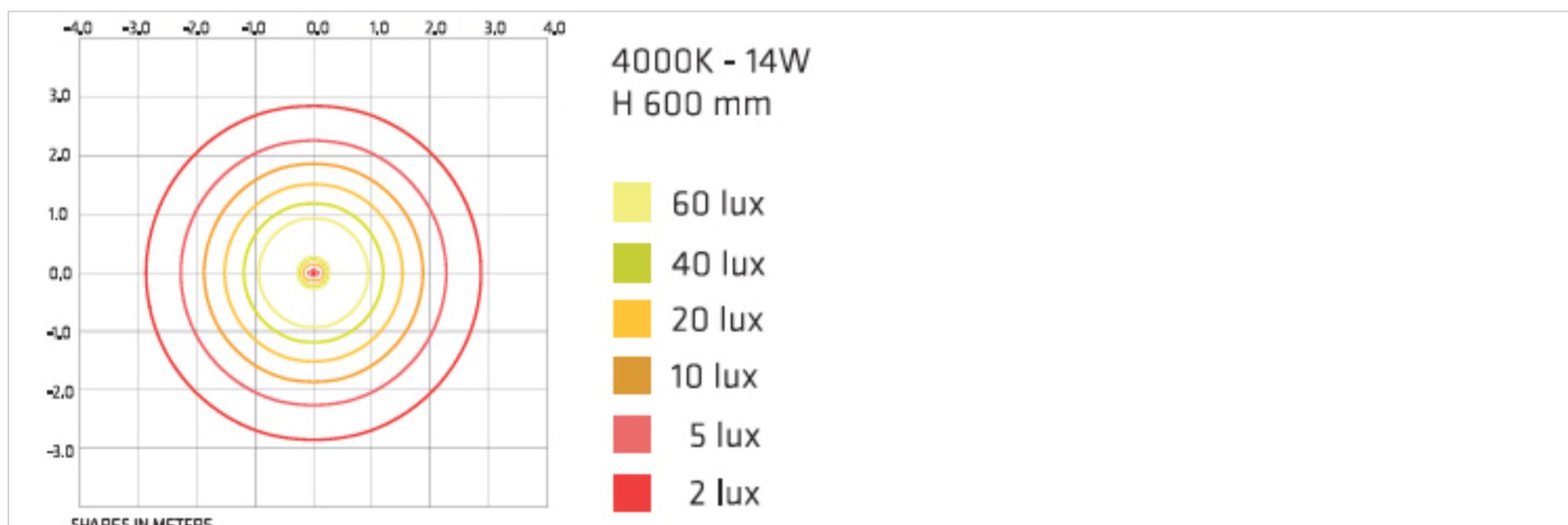
Rev. 30/10/2023



Naos has been developed to cover various residential lighting needs for paths, gardens and avenues. This new bollard is presented with two different optics, the first, with a white diffuser (Naos400), designed to satisfy the need for more lux. The second version (Naos401), on the other hand, with a black reflector, guarantees anti-glare and exceeds all anti-light pollution regulations. Both versions are proposed with powers of 14W and 20W.



### PHOTOMETRICAL DATA



### FIXTURE SPECIFICATIONS

#### ASSEMBLY / USAGE

Ground installation

#### PROTECTION

IP 65 - IK 08

#### BODY

Pole: Extruded aluminium alloy - Body/Base:  
Die-cast aluminium alloy

#### SCREEN

Transparent Polycarbonate

#### SEALS

Closed-cell EPDM rubber

#### SCREWS

Stainless steel A2

#### PAINT / FINISHING

Anti-corrosive UV stabilised polyester powder

#### SIZES

H 600 x Ø 140 x Ø base 187

### ELECTRICAL SPECIFICATIONS

#### POWER SUPPLY

220-240Vac 50/60Hz

**DRIVER**

Built-in

**DRIVER CURRENT**

350mA

**DIMMER SYSTEM**

Not dimmable

**SPECIFIC WIRING**

Inclusa/Included

**WIRING**

Included

**POWER MODULE LED**

12W

**ABSORBED POWER**

14W

**SOURCE**

LED

**SOURCE FLUX**

2000 lm

**FIXTURE SOURCE**

1030 lm

**APPARENT EFFICIENCY**

52 %

**INSULATION CLASS**

II

**OVERVOLTAGE PROTECTION**

2kV-4kV

**CCT LED**

4000K

**CRI**

&gt;80

**LIFE TIME TM-21**

L80B10 50000h

**PHOTOBIOLOGICAL RISK**

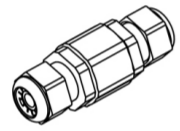
RG1

**OPTIK DISTRIBUTION**

White reflector

**BEAM OPENING**

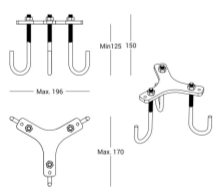
Indirect/Diffuse 360°

**COLORS****ACCESSORIES**

**MOR683P/2V** Connector IP68 2Way/3Poles. Maximum section 3x2.5mm<sup>2</sup>  
L82xØ28



**E.TRA.581** Ultra compact type 2+3 hard wired surge protector. CLII - IP67. Disconnection signaling by indicator. AC disconnection in case of end of life.  
L37xW30xH30  
L37xW30xH30



**KIT.005** Ground anchoring system with anchor bolts and centring plate