

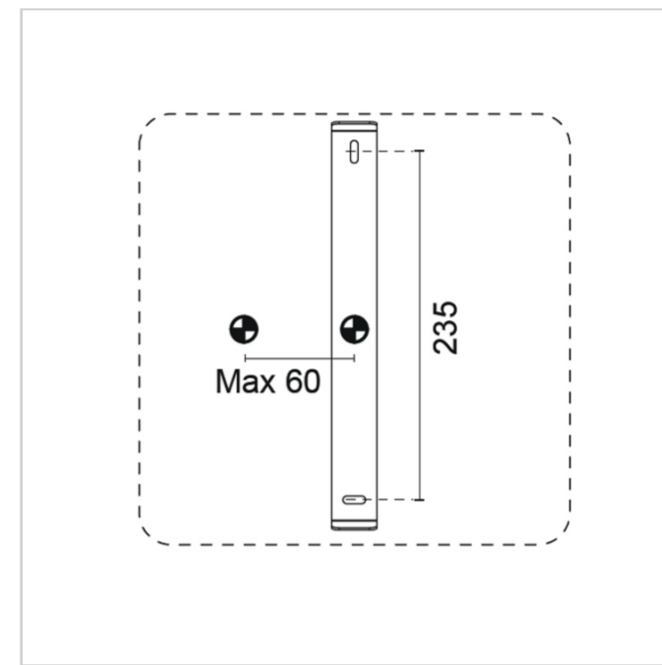
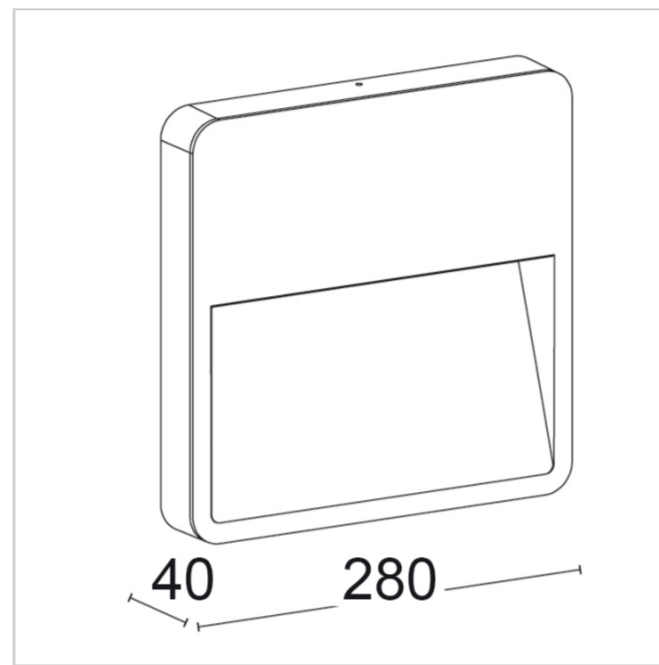
Antares Square 8430W/NR35VT

Wall - Square ceiling Asymmetrical Emission

Rev. 31/10/2023



Square-shaped wall luminaire, characterized by an asymmetrical emission that makes it ideal for lighting walkways, pedestrian paths and all those applications where an adequate level of visibility on the horizontal plane is primarily required. Dali dimmable on request with extra charge.



PHOTOMETRICAL DATA



FIXTURE SPECIFICATIONS

ASSEMBLY / USAGE

Wall installation

PROTECTION

IP 66 - IK 09

BODY

Die-cast aluminium

SCREEN

Extra-clear float glass 4mm with white diffusing silk-screen printing

SEALS

Closed-cell EPDM rubber

SCREWS

Stainless steel A2

PAINT / FINISHING

Anti-corrosive UV stabilised polyester powder

SIZES

H 280 x L 280 x W 40

ELECTRICAL SPECIFICATIONS

POWER SUPPLY

220-240Vac 50/60Hz

DRIVER

Built-in

DRIVER CURRENT

500mA

DIMMER SYSTEM

DALI available on request

SPECIFIC WIRING

Inclusa/Included

POWER MODULE LED

11W

ABSORBED POWER

13W

SOURCE

LED

SOURCE FLUX

1890 lm

FIXTURE SOURCE

665 lm

APPARENT EFFICIENCY

35 %

INSULATION CLASS

I

OVERVOLTAGE PROTECTION

2kV-4kV

OPERATING TA

50 °

ENERGETIC CLASS

A

CCT LED

4000K

CRI

>80

STEP MACADAM

3

LIFE TIME TM-21

L80B10 50000h

PHOTOBIOLOGICAL RISK

RG1

BEAM OPENING

Asymmetric >35°

COLORS



00
PURE
WHITE RAL
9016

01
BLACK RAL
9005

10
WHITE RAL
9010

24
BRONZE

25
RUST

30
ANTHRACIT
E

35
SLATE
GREY

40
GREY RAL
9006

ACCESSORIES



E.TRA.580 Ultra compact type 2+3 hard wired surge protector. CLI - IP67. Disconnection signaling by indicator. AC disconnection in case of end of life.

L37xW30xH30

L37xW30xH30