

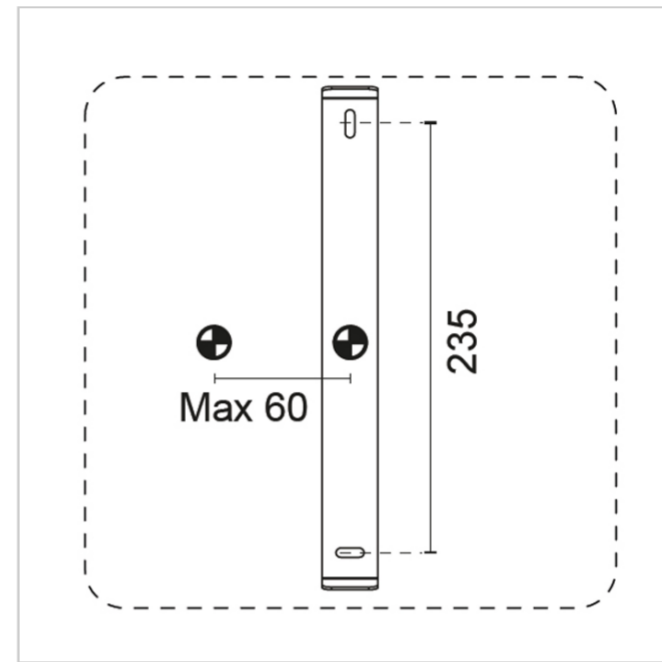
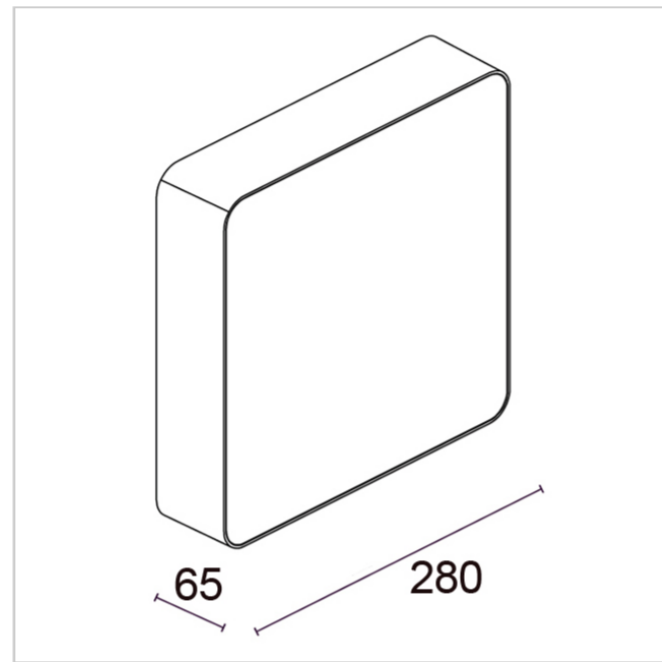
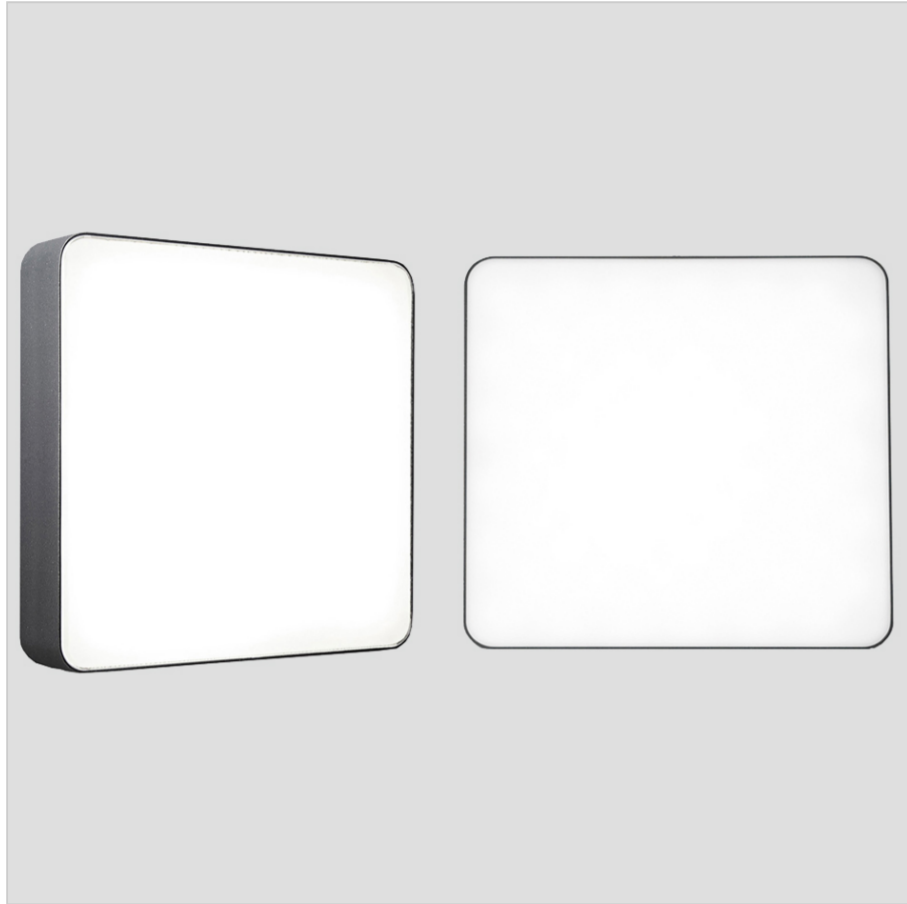
Altair Square 8412C/NR35VO

Ceiling Lamps - Ceiling Luminaire L. 280 Diffuse Emission

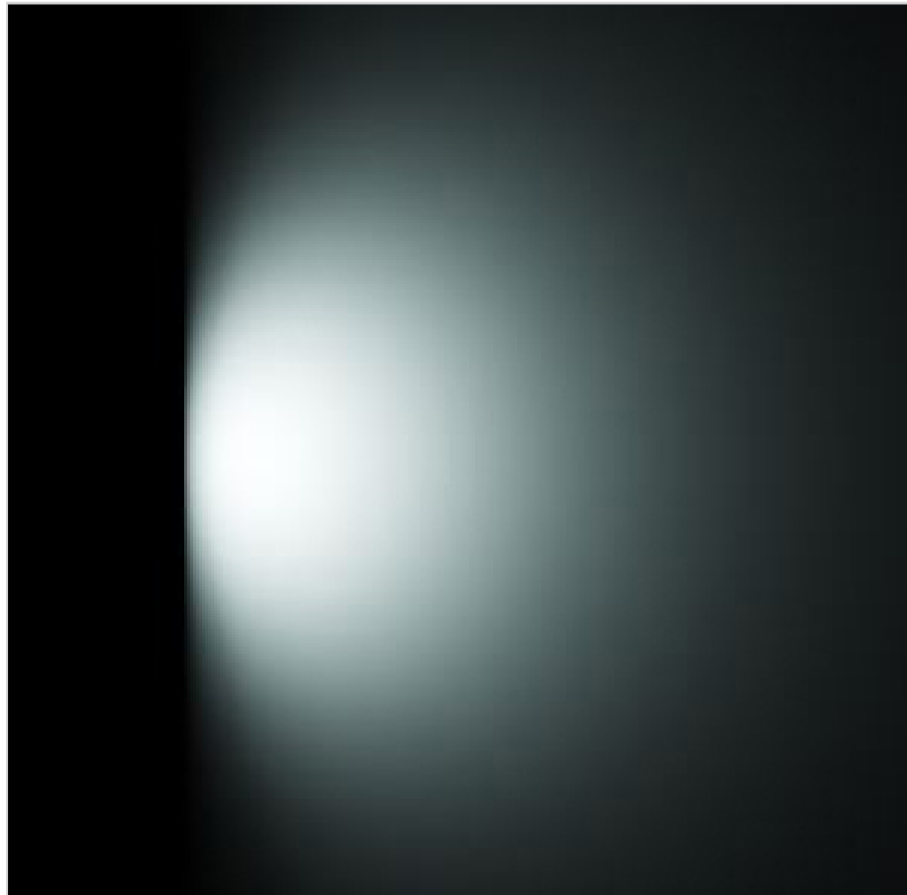
Rev. 20/03/2024



Ceiling light for wall- or ceiling-mounted installation, available in two sizes with white opal diffuser for greater uniformity of the luminous flux. Independent wall-mounting bracket.



PHOTOMETRICAL DATA



FIXTURE SPECIFICATIONS

ASSEMBLY / USAGE

Wall fixing and ceiling installation

PROTECTION

IP 65 - IK 07

BODY

Die-cast aluminium

FRAME

Die-cast aluminium

SCREEN

Extra-clear float glass 4mm with white diffusing silk-screen printing

SEALS

Closed-cell EPDM rubber

SCREWS

Stainless steel A2

PAINT / FINISHING

Anti-corrosive UV stabilised polyester powder

SIZES

H 280 x L 280 x W 65

ELECTRICAL SPECIFICATIONS

POWER SUPPLY

220-240Vac 50/60Hz

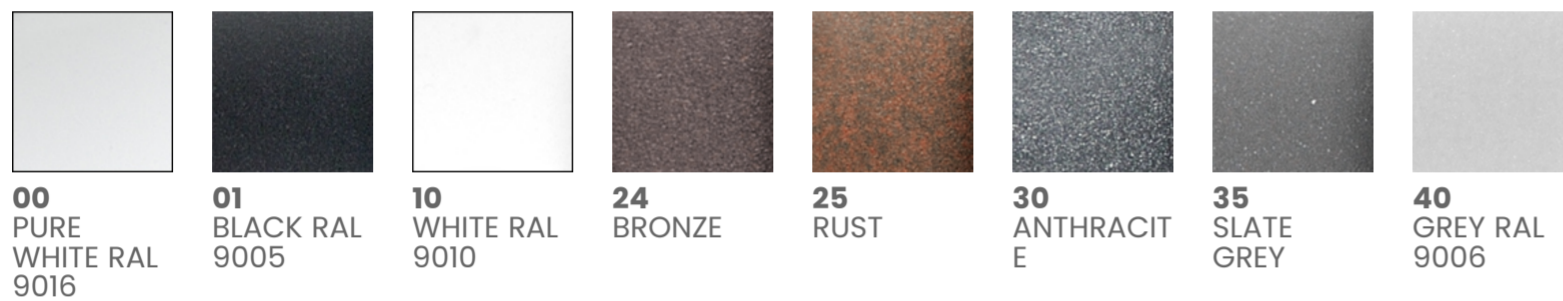
DRIVER

Built-in
DRIVER CURRENT
500mA
CONTROL
ON/OFF
SPECIFIC WIRING
Inclusa/Included
POWER MODULE LED
20W
ABSORBED POWER
22W
SOURCE
LED

SOURCE FLUX
2450 lm
FIXTURE SOURCE
1212 lm
APPARENT EFFICIENCY
49 %
INSULATION CLASS
II
OVERVOLTAGE PROTECTION
2kV-4kV
OPERATING TA
50 °
ENERGETIC CLASS
A

CCT LED
4000K
CRI
>80
STEP MACADAM
3
LIFE TIME TM-21
L80B10 50000h
PHOTOBIOLOGICAL RISK
RG0
BEAM OPENING
Diffuse >110°

COLORS



ACCESSORIES



E.TRA.580 Ultra compact type 2+3 hard wired surge protector. CLI - IP67. Disconnection signaling by indicator. AC disconnection in case of end of life.
L 37 x W 30 x H 30