

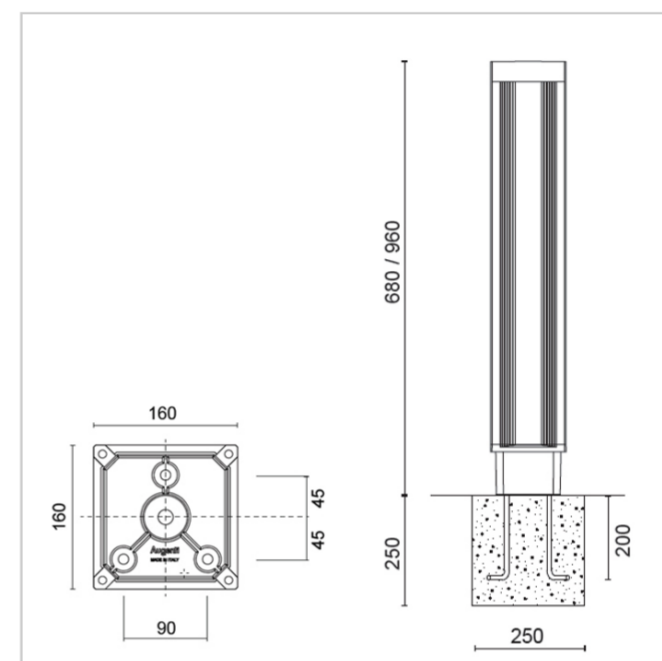
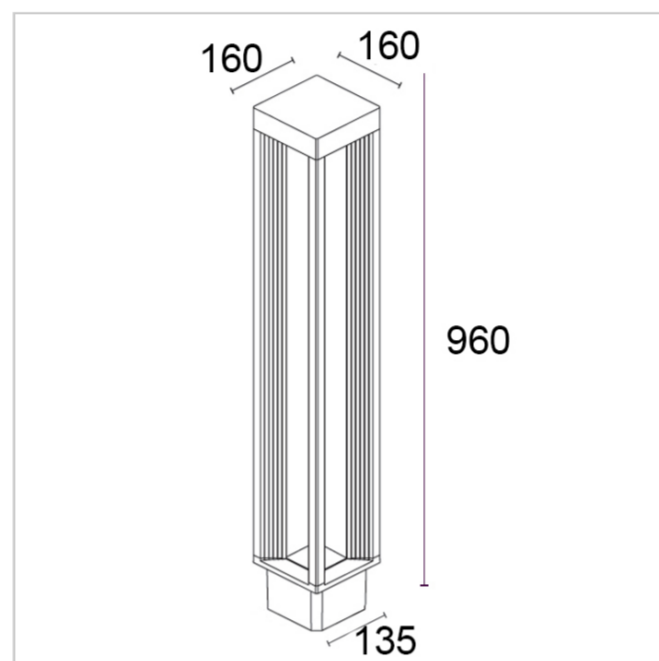
## Orion D 560F2/NR35VS

Small Poles - Bollard 4 Ways H. 960

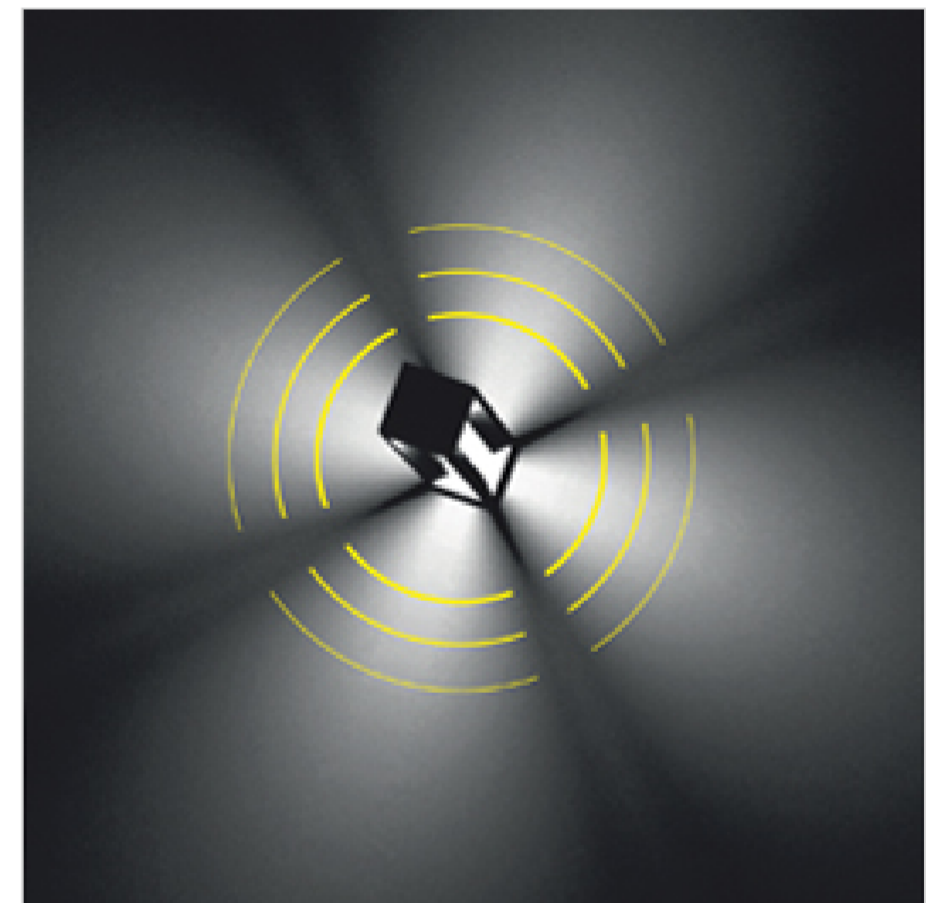
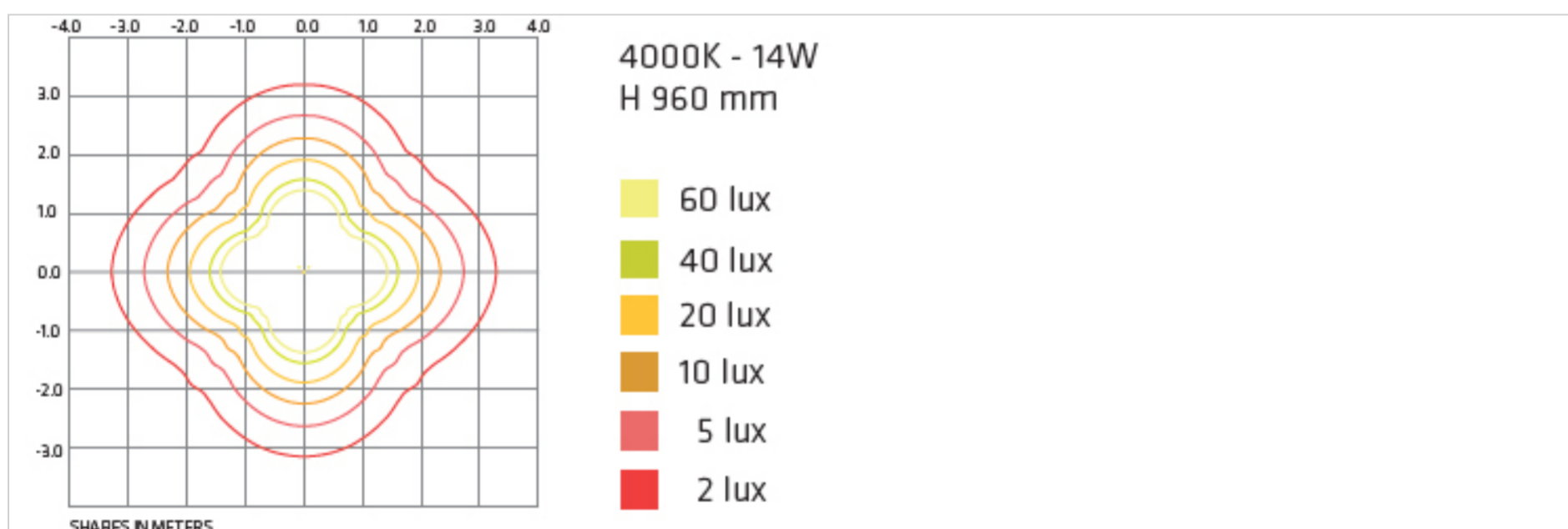
Rev. 31/10/2023



Column luminaire, for floor installation, with source light placed on top of fixture with a downward emission. This ensure an optimal light distribution on the ground and a better control of glaring effects. Floor fixing bracket with A2 steel clamps. Power supply with driver incorporated with fixed or dimmable output.



### PHOTOMETRICAL DATA



### FIXTURE SPECIFICATIONS

#### ASSEMBLY / USAGE

Ground installation

#### PROTECTION

IP 65 - IK 08

#### BODY

Pole: Extruded aluminium alloy - Body/Base: Die-cast aluminium alloy

#### SCREEN

Sandblasted Glass

#### SEALS

Closed-cell EPDM rubber

#### SCREWS

Stainless steel A2

#### PAINT / FINISHING

Anti-corrosive UV stabilised polyester powder

#### SIZES

H 960 x L 160 x W 160

### ELECTRICAL SPECIFICATIONS

#### POWER SUPPLY

220-240Vac 50/60Hz

**DRIVER**

Built-in

**DRIVER CURRENT**

350mA

**DIMMER SYSTEM**

DALI available on request

**SPECIFIC WIRING**

Inclusa/Included

**POWER MODULE LED**

12W

**ABSORBED POWER**

14W

**SOURCE**

LED

**SOURCE FLUX**

2020 lm

**FIXTURE SOURCE**

1200lm

**APPARENT EFFICIENCY**

59 %

**INSULATION CLASS**

I

**OVERVOLTAGE PROTECTION**

2kV-4kV

**OPERATING TA**

50 °

**ENERGETIC CLASS**

A

**CCT LED**

4000K

**CRI**

&gt;80

**STEP MACADAM**

3

**LIFE TIME TM-21**

L80B10 50000h

**PHOTOBIOLOGICAL RISK**

RG1

**BEAM OPENING**

Downward/Diffuse &gt;80

**COLORS**

**00**  
PURE  
WHITE RAL  
9016

**01**  
BLACK RAL  
9005

**10**  
WHITE RAL  
9010

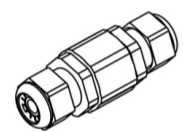
**24**  
BRONZE

**25**  
RUST

**30**  
ANTHRACIT  
E

**35**  
SLATE  
GREY

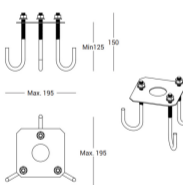
**40**  
GREY RAL  
9006

**ACCESSORIES**

**MOR683P/2V** Connector IP68 2Way/3Poles. Maximum section 3x2.5mm<sup>2</sup>  
L82xØ28



**E.TRA.580** Ultra compact type 2+3 hard wired surge protector. CLI - IP67. Disconnection signaling by indicator. AC disconnection in case of end of life.  
L37xW30xH30  
L37xW30xH30



**KIT.001** Ground anchoring system with anchor bolts and centring plate