

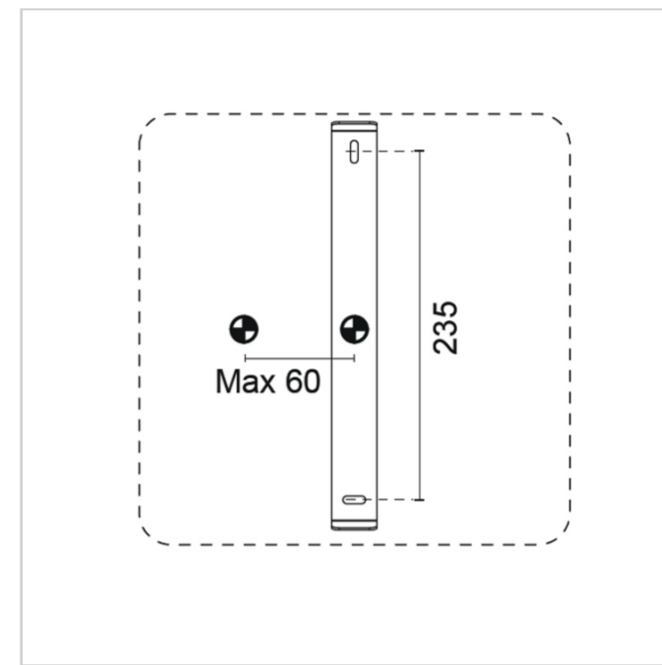
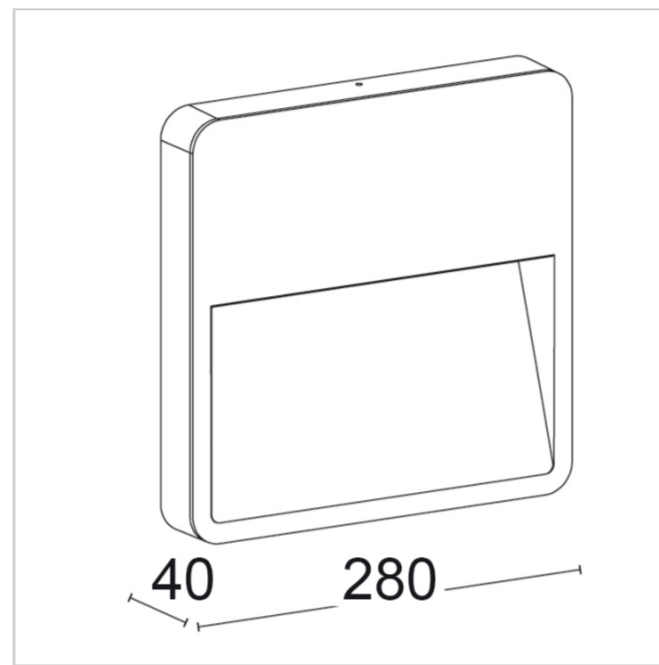
## Antares Square 8430W/WR35VT

Wall - Square ceiling Asymmetrical Emission

Rev. 31/10/2023



Square-shaped wall luminaire, characterized by an asymmetrical emission that makes it ideal for lighting walkways, pedestrian paths and all those applications where an adequate level of visibility on the horizontal plane is primarily required. Dali dimmable on request with extra charge.



### PHOTOMETRICAL DATA



### FIXTURE SPECIFICATIONS

#### ASSEMBLY / USAGE

Wall installation

#### PROTECTION

IP 66 - IK 09

#### BODY

Die-cast aluminium

#### SCREEN

Extra-clear float glass 4mm with white diffusing silk-screen printing

#### SEALS

Closed-cell EPDM rubber

#### SCREWS

Stainless steel A2

#### PAINT / FINISHING

Anti-corrosive UV stabilised polyester powder

#### SIZES

H 280 x L 280 x W 40

### ELECTRICAL SPECIFICATIONS

#### POWER SUPPLY

220-240Vac 50/60Hz

#### DRIVER

Built-in

**DRIVER CURRENT**

500mA

**DIMMER SYSTEM**

DALI available on request

**SPECIFIC WIRING**

Inclusa/Included

**POWER MODULE LED**

11W

**ABSORBED POWER**

13W

**SOURCE**

LED

**SOURCE FLUX**

1800 lm

**FIXTURE SOURCE**

630 lm

**APPARENT EFFICIENCY**

35 %

**INSULATION CLASS**

I

**OVERVOLTAGE PROTECTION**

2kV-4kV

**OPERATING TA**

50 °

**ENERGETIC CLASS**

A

**CCT LED**

3000K

**CRI**

>80

**STEP MACADAM**

3

**LIFE TIME TM-21**

L80B10 50000h

**PHOTOBIOLOGICAL RISK**

RG1

**BEAM OPENING**

Asymmetric >35°

COLORS



ACCESSORIES



**E.TRA.580** Ultra compact type 2+3 hard wired surge protector. CLI - IP67. Disconnection signaling by indicator. AC disconnection in case of end of life.

L37xW30xH30

L37xW30xH30